

John Wood<sup>®</sup> offers a complete line of residential atmospheric vent natural gas and propane water heaters that feature the Flame Guard<sup>®</sup> Safety System. These heaters offer an upgraded gas valve that provides ease of diagnostics combined with a robust thermopile design providing the customer piece of mind for the harshest environmental conditions.

## Features

### *Designed for Performance*

- Compact design – ideal as a replacement water heater for many existing and former John Wood atmospheric vent water heaters
- Turbulator<sup>™</sup> dip tube reduces sediment build-up at the bottom of the tank and increases hot water output by as much as 8%
- Over 20% more foam insulation provides a higher Energy Factor for energy and cost savings
- Thermopile design provides robust pilot to withstand down drafts and environmental conditions
- LED indicator:
  - gives visual confirmation that pilot is on by flashing continuously
  - provides diagnostics and troubleshooting
- Easy temperature adjustments
- Top mounted heavy duty anode rod for added tank protection
- Robust 1/4" pilot tubing

### *Safety Features*

- The FlameGuard Safety System protects the homeowner by trapping burning vapours within the water heater's combustion chamber through the exclusive "Flame Trap"

### *Serviceability*

- Combustion chamber is easy to access
- Conveniently located T&P and drain valve for ease of installation and serviceability
- Piezoelectric ignitor allows for lighting of the pilot without matches
- Dependable three-leg design for better leveling and access to flame arrestor



## WARRANTY

8 Year Limited Tank Warranty

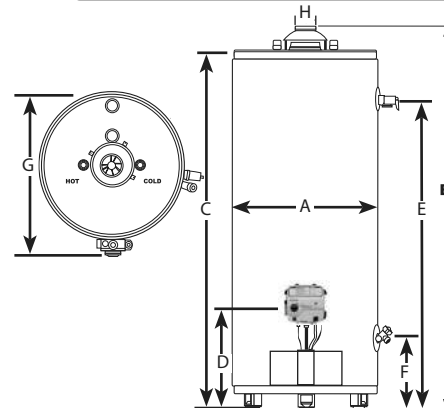
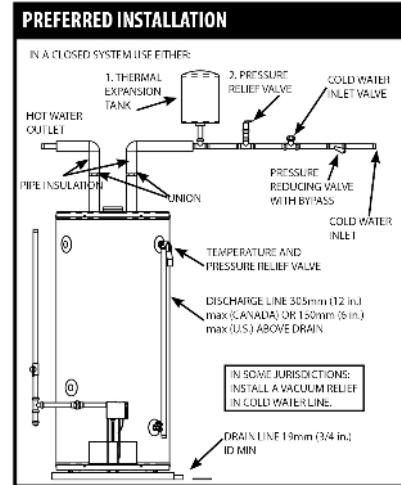
6 Year Limited Parts Warranty

Consult installation manual for terms and conditions or visit [www.johnwoodwaterheaters.com](http://www.johnwoodwaterheaters.com) for more information.

### PERFORMANCE

Model	Capacity	Maximum Certified Altitude	Input	Recovery Rate at 100°F/55°C Temp. Rise	First Hour Rating	Energy Factor
	USG (L)	ft (m)	BTU/hr	USG (L)	USG (L)	
<b>NATURAL GAS</b>						
SS19NAFV-04 Series 10	19 (74)	5,400 (1,646)	22,000	18 (69)	n/a	0.64
JW30S30FV-04 Series 10	30 (113)	5,400 (1,646)	30,000	27 (103)	52 (197)	0.64
JW840S38ES Series 10	40 (151)	5,400 (1,646)	38,000	34.5 (131)	70 (265)	0.63
JW640T40ES Series 10	40 (151)	5,400 (1,646)	40,000	37 (140)	72 (273)	0.63
JW850S40ES Series 10	50 (189)	5,400 (1,646)	40,000	36 (137)	90 (341)	0.62
JW650T40ES Series 10	50 (189)	5,400 (1,646)	40,000	37 (140)	91 (345)	0.61
JW602NA-FV-04 Series 10	60 (227)	5,400 (1,646)	52,200	47.5 (180)	104 (394)	0.56
JW6052NA Series 10	60 (227)	5,400 (1,646)	52,200	47.5 (180)	104 (394)	0.58
JW6-75-3NC-02*	75 (284)	2,000 (610)	76,000	74 (279)	n/a	n/a
JW6-75-3NC-04*	75 (284)	4,500 (1,372)	68,400	66 (251)	n/a	n/a
<b>PROPANE</b>						
JWP630S30FV Series 11	30 (113)	5,400 (1,646)	30,000	30 (114)	52 (197)	0.64
JWP640S38ES Series 11	40 (151)	5,400 (1,646)	38,000	38 (144)	72 (273)	0.63
JWP640T36ES Series 11	40 (151)	5,400 (1,646)	36,000	36 (137)	79 (299)	0.63
JWP650S40ES Series 11	50 (189)	5,400 (1,646)	40,000	38 (144)	92 (348)	0.62
JWP650T40ES Series 11	50 (189)	5,400 (1,646)	40,000	40 (151)	97 (367)	0.63
JWP660S52FV Series 11	60 (227)	5,400 (1,646)	52,200	50 (189)	114 (432)	0.56
JWP660S52FV Series 11	60 (227)	5,400 (1,646)	52,200	50 (189)	114 (432)	0.59
6G-75-3PC-06*	75 (284)	4,500 (1,372)	68,400	66 (251)	n/a	n/a

\* 75 USG Models do not use FlameGuard Safety System



### DIMENSIONS & SHIPPING WEIGHT

Model	Tank Diameter	Installation Height	Height to Top of Tank	Height to Gas Inlet	Height to T&P	Height to Drain Valve	Overall Depth	Draft Hood Connector Diameter	Approximate Shipping Weight
	A in (cm)	B in (cm)	C in (cm)	D in (cm)	E in (cm)	F in (cm)	G in (cm)	H in (cm)	lb (kg)
<b>NATURAL GAS</b>									
SS19NAFV-04 Series 10	18 (46)	37 ½ (95)	32 ¼ (83)	13 ½ (34)	28 ½ (72)	10 (25)	22 (56)	3-4	81 (36)
JW30S30FV-04 Series 10	19 (48)	50 (127)	46 ⅞ (119)	13 ½ (34)	40 (102)	9 ½ (24)	22 (56)	3-4	108 (49)
JW840S38ES Series 10	21 (53)	53 ¼ (135)	50 (127)	13 ¾ (35)	42 ½ (108)	9 ½ (24)	22 ½ (57)	3-4	138 (62)
JW640T40ES Series 10	19 (48)	63 ¼ (161)	50 (127)	13 ½ (34)	53 ½ (136)	10 (25)	22 ½ (57)	3-4	135 (61)
JW850S40ES Series 10	22 ½ (57)	54 ½ (138)	51 (130)	13 ½ (34)	44 (112)	11 (28)	22 (56)	3-4	170 (77)
JW650T40ES Series 10	21 (53)	62 (158)	59 (150)	14 ½ (37)	52 (132)	12 (31)	24 (61)	3-4	168 (76)
JW602NA-FV-04 Series 10	23 (58)	63 (160)	59 (150)	14 ½ (37)	52 (132)	12 (31)	26 (66)	4	176 (80)
JW6052NA Series 10	24 (61)	63 (160)	59 (150)	14 ½ (37)	52 (132)	12 (31)	26 ½ (67)	4	181 (82)
JW6-75-3NC-02	26 (66)	67 (170)	62 ½ (159)	15 ¼ (39)	55 (140)	12 (31)	28 ½ (72)	4	268 (121)
JW6-75-3NC-04	26 (66)	67 (170)	62 ½ (159)	15 ¼ (39)	55 (140)	12 (31)	28 ½ (72)	4	268 (121)
<b>PROPANE</b>									
JWP630S30FV Series 11	19 (48)	50 (127)	46 ⅞ (119)	13 ½ (34)	40 (102)	9 ½ (24)	22 (56)	3-4	113 (51)
JWP640S38ES Series 11	21 (53)	53 ¼ (135)	50 (127)	13 ¾ (35)	42 ½ (108)	9 ½ (24)	22 ½ (57)	3-4	138 (62)
JWP640T36ES Series 11	19 (48)	63 ¼ (161)	50 (127)	13 ½ (34)	53 ½ (136)	10 (25)	22 ½ (57)	3-4	135 (61)
JWP650S40ES Series 11	22 ½ (57)	54 ½ (138)	51 (130)	13 ½ (34)	44 (112)	11 (28)	22 (56)	3-4	170 (77)
JWP650T40ES Series 11	21 (53)	62 (158)	59 (150)	14 ½ (37)	52 (132)	12 (31)	24 (61)	3-4	168 (76)
JWP660S52FV Series 11	23 (58)	63 (160)	59 (150)	14 ½ (37)	52 (132)	12 (31)	26 (66)	4	176 (80)
JWP660S52FV Series 11	24 (61)	63 (160)	59 (150)	14 ½ (37)	52 (132)	12 (31)	27 (69)	4	181 (82)
6G-75-3PC-06*	26 (66)	67 (170)	62 ½ (159)	15 ¼ (39)	55 (140)	12 (31)	28 ½ (72)	4	268 (121)