

The John Wood® ENERGY STAR® Power Vent water heaters have been engineered to provide industry-leading energy efficiency and deliver dependable, trouble-free operation. The extensive line-up offers a full range of sizes and outputs for small or large residential demands.

Features

Energy Savings

- Industry-leading energy efficient power vent, with up to a 0.70 EF
- ENERGY STAR® qualified models (except 60 and 75 gallon models)
- 2" CFC-free foam insulation to improve energy efficiency
- Built-in heat traps on the water inlet and outlet reduce the amount of heat lost through piping
- Exceeds NRCan energy efficiency standards

Designed for Performance

- Ideal as a replacement water heater in a variety of installation applications due to 3-position rotatable blower
- Exclusive TankSaver® design to prolong tank life
- Convenient 3/4" side taps for combination applications on 50 USG high-input and 75 USG models
- Suitable for elevations up to 10,100 ft. (3,078 m)
- Available for both natural gas or propane
- Glass lined tank provides superior protection against corrosion

Safety Features

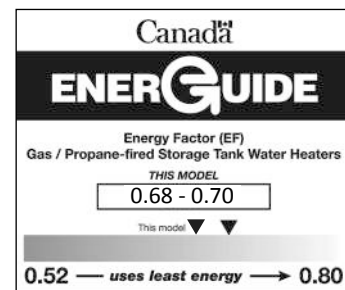
- Sensor detects the presence of flammable vapours and automatically disables the unit, preventing their ignition
- Robust air intake snorkel inhibits flammable vapours from entering the combustion chamber

Serviceability

- State-of-the-art electronic gas control features advanced self-diagnostic capability that makes troubleshooting easy
- Conveniently located T&P and drain valve for ease of installation and serviceability

The Ultimate in Venting Flexibility

- Can be vented with 2", 3" or 4" ULC S636 PVC, CPVC or polypropylene pipe
- Vertical or horizontal venting configurations



WARRANTY

8 Year Limited Tank Warranty

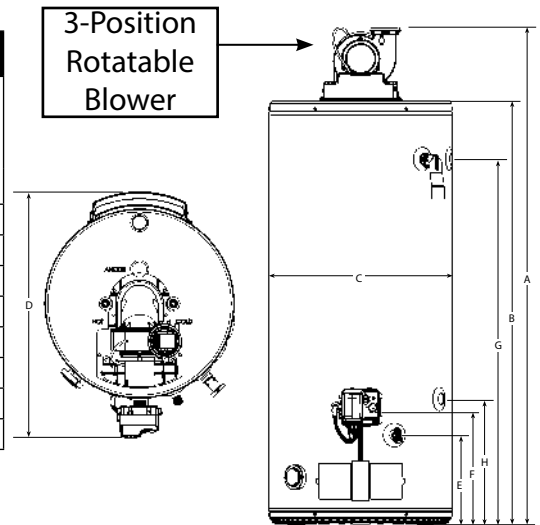
6 Year Limited Parts Warranty

Consult installation manual for terms and conditions or visit www.johnwoodwaterheaters.com for more information.

PERFORMANCE

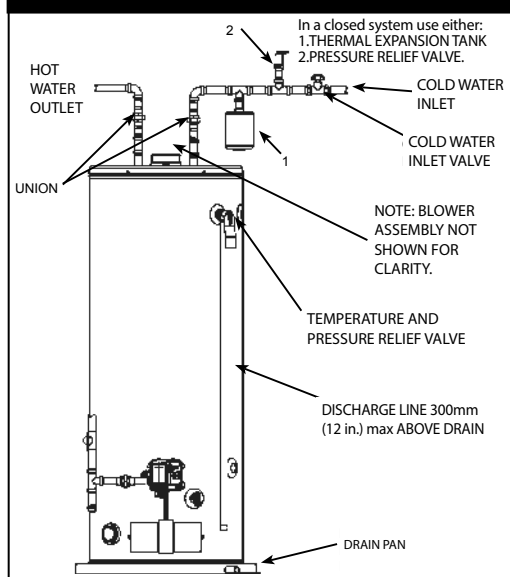
Model	Series	Capacity	Input	Maximum Certified Altitude	Recovery Rate at 90°F Temperature Rise	First Hour Rating	Energy Factor	BC/ON Compliant
		USG (L)	BTU/h	FT (M)	GPH (LPH)	GPH (LPH)		
NATURAL GAS								
JW840S40N-PV-ES2	200/201	40 (151)	40,000	10,100 (3,078)	44 (167)	73 (276)	0.70	✓
JW840T50N-PV-ES2	200/201	40 (151)	50,000	10,100 (3,078)	50 (189)	90 (341)	0.70	✓
JW850S40N-PV-ES2	200/201	50 (189)	40,000	10,100 (3,078)	44 (167)	90 (341)	0.70	✓
JW850T50N-PV-ES2	200/201	50 (189)	50,000	10,100 (3,078)	50 (189)	96 (363)	0.70	✓
JW850S62N-PV-ES2	200/201	50 (189)	62,000	10,100 (3,078)	69 (261)	110 (416)	0.70	✓
JW860S42N-PV-ES2	200/201	60 (227)	42,000	10,100 (3,078)	46 (174)	106 (401)	0.70	✓
JW875T72N-PV-ES2	N/A	75 (284)	72,000	10,100 (3,078)	80 (303)	155 (587)	0.68	✓

For propane models sub N with P. Natural gas models are series 200. Propane models are series 201.


DIMENSIONS & SHIPPING WEIGHT

Model	Installation Height	Height to Top of Tank	Tank Diameter	Overall Depth	Height to Drain Valve	Height to Gas Inlet	Height to T&P	Height to Upper Side Connection	Height to Lower Side Connection	Shipping Weight
	A IN (CM)	B IN (CM)	C IN (CM)	D IN (CM)	E IN (CM)	F IN (CM)	G IN (CM)	G IN (CM)	H IN (CM)	LB (KG)
NATURAL GAS										
JW840S40N-PV-ES2	59 (150)	49 ½ (126)	22 (56)	29 ½ (74)	11 (28)	13 ¼ (34)	42 ½ (108)	N/A	N/A	174 (79)
JW840T50N-PV-ES2	68 ½ (174)	59 ¼ (150)	20 (51)	27 ½ (69)	11 (28)	13 ¼ (34)	53 ½ (135)	N/A	N/A	176 (80)
JW850S40N-PV-ES2	60 ½ (153)	50 ¾ (129)	24 (61)	31 ½ (79)	11 (28)	13 ¼ (34)	43 ¾ (111)	N/A	N/A	198 (90)
JW850T50N-PV-ES2	68 ½ (173)	58 ¾ (149)	22 (56)	29 ½ (74)	11 (28)	13 ¼ (34)	51 ¾ (131)	N/A	N/A	192 (87)
JW850S62N-PV-ES2*	61 ½ (155)	52 (132)	24 (61)	31 ½ (79)	11 (28)	13 ¼ (34)	44 ½ (113)	44 ½ (113)	15 ¼ (39)	212 (96)
JW860S42N-PV-ES2	67 ¼ (171)	57 ⅞ (147)	24 (61)	31 ½ (79)	11 (28)	13 ¼ (34)	50 ¾ (128)	N/A	N/A	216 (98)
JW875T72N-PV-ES2*	70 ¾ (179)	61 ¼ (156)	26 (66)	33 ½ (84)	11 (28)	13 ¼ (34)	53 (135)	53 (135)	15 ¼ (39)	277 (126)

* Model has side connections

PREFERRED INSTALLATION

VENT PIPE LENGTHS

Model	Vent Pipe Diameter IN	Minimum Number of Elbows Required*	Maximum Vent Length with one 90° Elbow FT (M)	Minimum Vent Length with one 90° Elbow FT (M)
JW840S40N-PV-ES2	2	0	50 (15.2)	7 (2.1)
JW840T50N-PV-ES2				
JW850S40N-PV-ES2	3	0	125 (38.1)	50 (15.2)
JW850T50N-PV-ES2				
JW860S42N-PV-ES2	4	0	180 (54.9)	125 (38.1)
JW850S62N-PV-ES2	3	0	50 (15.2)	7 (2.1)
JW875T72N-PV-ES2*				

* Refer to installation manual for further details.

VENT KITS

Description	Part Number
3" Vent Kit Includes coupling for blower outlet and termination screens	9008311005
4" Vent Termination Kit Includes termination screens	9008310015

For Technical Information/Warranty:
 Call 1-888-479-8324 or email techsupport@johnwoodwaterheaters.com
www.johnwoodwaterheaters.com