



John Wood®

Power Direct Vent (ENERGY STAR®)

RESIDENTIAL

The John Wood® ENERGY STAR® qualified Power Direct Vent water heater is designed with a sealed combustion chamber, ultra-quiet blower and state-of-the-art gas control for highly accurate and reliable temperature regulation. Perfect for both residential new home construction and replacement water heater applications.

Features

Energy Savings

- ENERGY STAR qualified
- Exceeds NRCAN energy efficiency standards
- Factory installed heat trap nipples

Designed for Performance

- Compact design – ideal as a replacement water heater and for closet installations
- Exclusive TankSaver® design to prolong tank life
- Ultra-quiet blower
- Convenient 3/4" side water connections for combination applications on high input 62,000 and 72,000 BTU units (plugs are factory installed)
- Suitable for altitudes up to 10,100 ft. (3,077 m)
- Factory installed T&P valve and drip tube
- Glass lined tank provides superior protection against corrosion

Safety Features

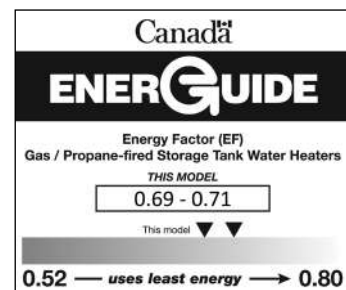
- Sealed Combustion Chamber design, eliminating the need for FV sensor
- Zero clearance to combustibles

Serviceability

- State-of-the-art gas control features advanced self-diagnostic capability that makes troubleshooting easy
- Conveniently located T&P and drain valve for ease of serviceability
- Auto-reset temperature switch monitors vent temperature

The Ultimate in Venting Flexibility

- 40,000 and 45,000 BTU models can be vented with ULC S636 PVC, CPVC or polypropylene up to 50 equivalent feet with 2" pipe, up to 125 equivalent feet with 3" pipe and up to 180 equivalent feet with 4" pipe horizontally through the wall or vertically through the roof (see installation manual for full details)
- 62,000 and 72,000 BTU high input models can be vented up to 50 equivalent feet with 3" pipe and up to 125 equivalent feet with 4" pipe (see installation manual for full details)
- Can be installed using a concentric vent kit (see reverse or installation manual for full details)



WARRANTY

8 Year Limited Tank Warranty

6 Year Limited Parts Warranty

Consult installation manual for terms and conditions or visit www.johnwoodwaterheaters.com for more information.



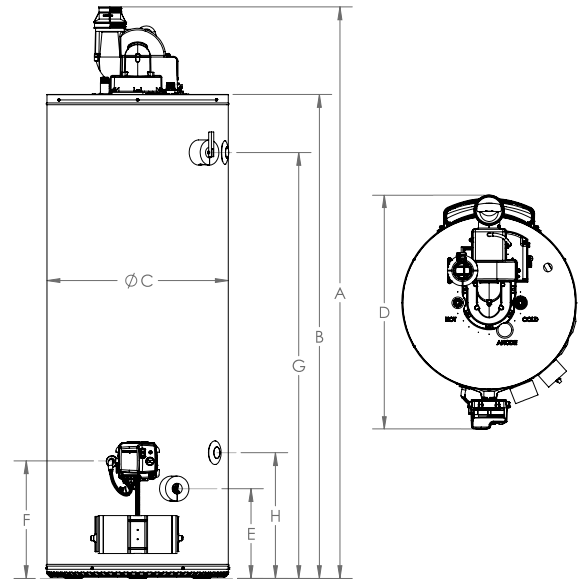
PERFORMANCE

Model	Capacity	Maximum Certified Altitude	Input	Recovery Rate at 90°F Temperature Rise	First Hour Rating	Energy Factor	BC Compliant
	USG (L)	FT (M)	BTU/h	GPH (LPH)	GPH (LPH)		
NATURAL GAS							
JW840S40N-PDV-ES2	40 (151)	10,100 (3,077)	40,000	45 (170)	71 (269)	0.71	✓
JW850T45N-PDV-ES2	50 (189)	10,100 (3,077)	45,000	50 (189)	93 (352)	0.70	✓
JW850T62N-PDV-ES2*	50 (189)	10,100 (3,077)	62,000	73 (276)	115 (435)	0.71	✓
JW875T72N-PDV-ES2	75 (284)	10,100 (3,077)	72,000	82 (310)	154 (583)	0.69	✓

For propane models sub N for P

* 58,000 BTU/h for propane model

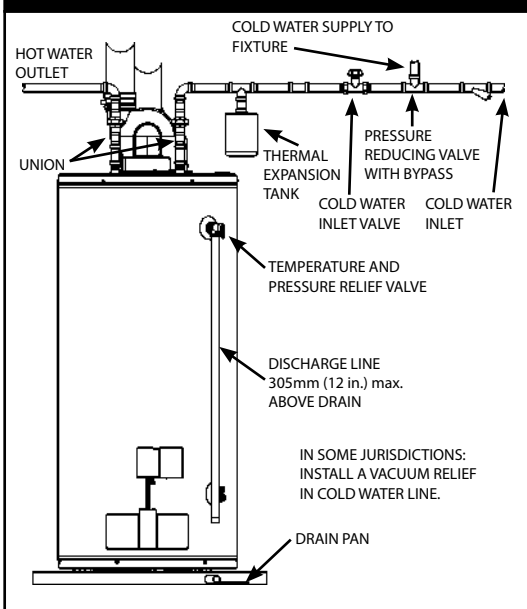
Side connections standard on 62,000 and 72,000 BTU high input models



DIMENSIONS & SHIPPING WEIGHT

Model	Installation Height	Height to Top of Tank	Tank Diameter	Overall Depth	Height to Drain Valve	Height to Gas Inlet	Height to T&P	Height to Upper Side Connection	Height to Lower Side Connection	Vent Diameter	Shipping Weight
	A IN (CM)	B IN (CM)	C IN (CM)	D IN (CM)	E IN (CM)	F IN (CM)	G IN (CM)	G IN (CM)	H IN (CM)	IN	LBS (KG)
NATURAL GAS											
JW840S40N-PDV-ES2	58 ¼ (148)	49 ½ (126)	22 (56)	29 ¾ (76)	11 (28)	13 ¼ (34)	42 ¾ (108)	N/A	N/A	2, 3 or 4	174 (79)
JW850T45N-PDV-ES2	67 ½ (171)	58 ¾ (150)	22 (56)	29 ¾ (76)	11 (28)	13 ¼ (34)	51 ¾ (131)	N/A	N/A	2, 3 or 4	192 (87)
JW850T62N-PDV-ES2	68 ¾ (175)	60 ¼ (153)	22 (56)	29 ¾ (76)	11 (28)	13 ¼ (34)	52 ¾ (134)	52 ¾ (134)	15 ¼ (39)	3 or 4	200 (91)
JW875T72N-PDV-ES2	70 ¾ (179)	60 ½ (154)	26 (66)	33 ¾ (86)	11 (28)	13 ¼ (34)	53 (134)	53 (134)	15 ¼ (39)	3 or 4	277 (126)

PREFERRED INSTALLATION



VENT PIPE LENGTHS

Model	Vent Pipe Diameter IN	Minimum Number of Elbows Required*	Minimum Vent Length with One Elbow FT (M)		Maximum Equivalent Vent Length FT (M)	
			Concentric	2 Pipe	Concentric	2 Pipe
JW840S40N-PDV-ES2	2	1	7 (2)	7 (2)	50 (15)	50 (15)
	3	1	7 (2)	7 (2)	125 (38)	125 (38)
	4	1	N/A	125 (38)	N/A	180 (55)
JW850T45N-PDV-ES2	2	1	7 (2)	7 (2)	50 (15)	50 (15)
	3	1	7 (2)	7 (2)	125 (38)	125 (38)
JW850T62N-PDV-ES2	4	1	N/A	125 (38)	N/A	180 (55)
	3	1	7 (2)	7 (2)	30 (9)	50 (15)
JW875T72N-PDV-ES2	3	1	7 (2)	7 (2)	30 (9)	50 (15)
	4	1	N/A	50 (15)	N/A	125 (38)

* Refer to installation manual for further details.

OPTIONAL KITS

Description	Part Number
2" Vent Kit - Coupling, termination elbows, sound suppressor	330828-000
3" Vent Kit - Coupling, termination elbows, sound suppressor	330851-000
2" Concentric Vent Kit	9008586005
3" Concentric Vent Kit	9006328005
Hi Ambient Vent Kit	9009024015

For Technical Information/Warranty:
Call 1-888-479-8324 or email techsupport@hotwater.com
www.johnwoodwaterheaters.com