

John Wood® commercial light-duty electric water heaters are designed to withstand hard water conditions with incoloy elements.

### Features

#### Designed for Performance

- 1" NPT. cold water inlet and diffuser nipple prevent mixing or incoming cold water. Hot water outlet is 1" NPT
- A range of electrical knockouts from 1/2" to 2" are provided along with a grounding lug
- Easy access junction box houses electrical components

#### Safety Features

- Automatic temperature control is maintained by calibrated thermostats ensuring safe water temperatures and no wasted electrical consumption
- Manual Hi-Limit Switch

#### Serviceability

- Provides direct access to elements without having to expose the junction box



RECOVERY							
Input		Recovery Rate GPH					
		Temperature Rise					
kW	BTU/Hr	40°F (22°C)	60°F (33°C)	80°F (44°C)	100°F (56°C)	120°F (67°C)	140°F (78°C)
6	20,400	61	41	30.5	24.5	20.4	17.5
9	30,600	92	61	46	36.7	30.6	26.3
10	34,000	102	68	51	41	34	29.2
12	40,800	122	81.5	61	49	40.8	35
15	51,000	153	102	76.5	61	51	43.7
18	61,200	184	122.5	92	73	61.3	52.5
20	68,000	204	136	102	81.5	68	58.4
24	81,600	245	163	122.5	98	81.6	70
27	91,800	275.5	183.5	138	110	91.8	78.7
30	102,000	306	204	153	122.5	102	87.5
36	122,400	367	245	183.5	147	122.5	105
45	153,000	459	306	229.5	183.5	153	131.2
54	183,600	551	367	275.5	220.5	183.7	157.4

Chart shows recovery rates with elements in simultaneous operation. For flip-flop operation on all, except JWE-1209, recovery figures are divided by two. Recovery figures for flip-flop operation of JWE-1209 must be divided by three.

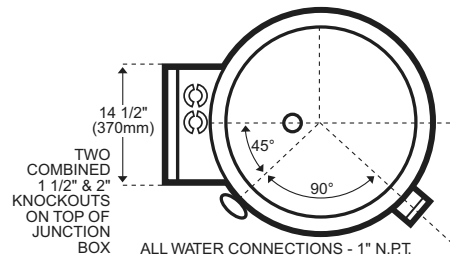
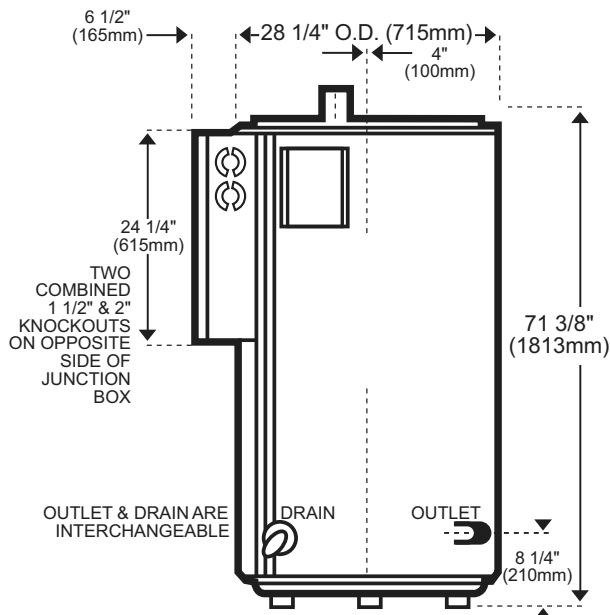


### WARRANTY

3 year Limited Tank Warranty

1 year Limited Parts Warranty

Consult installation manual for terms and conditions or visit [www.johnwoodwaterheaters.com](http://www.johnwoodwaterheaters.com) for more information.



### PERFORMANCE

Model	Capacity		Max. No. of Elements	Phase	120V Maximum Input kW		208V Maximum Input kW		240V Maximum Input kW		480V Maximum Input kW		600V Maximum Input kW	
	USG	Litres			Per Element	Total Connected	Per Element	Total Connected	Per Element	Total Connected	Per Element	Total Connected	Per Element	Total Connected
JWE1202A	108	405	2	Single	3	6	5	10	6	12				
JWE1204A	108	405	4	Single	3	12	5	20	6	24				
JWE1206B	108	405	6	Three			5	30	6	36				
JWE1206C	108	405	6	Three							6	36	6	36
JWE1209A	108	405	9	Single	3	27	5	45	6	54				
JWE1209B	108	405	9	Three			5	45	6	54				
JWE1209C	108	405	9	Three							6	54	6	54

### ELECTRICAL CHARACTERISTICS

Input	Full Load Current in Amperes						
	120 Volts	208 Volts		240 Volts		480 Volts	600 Volts
	1 Ph	1 Ph	3 Ph	1 Ph	3 Ph	3 Ph	3 Ph
6	50	28.8	16.6	25	14.5	7.2	5.8
9	75	43.3	25	37.5	21.7	10.8	8.7
10	83.3	48.1	27.8	41.7	24.1	12	9.6
12	100	57.7	33.3	50	28.9	14.4	11.6
15	125	72.1	41.7	62.5	36.2	18	14.4
18	150	86.5	50	75	43.4	21.7	17.3
20	166.7	96.2	55.6	83.3	48.2	24.1	19.3
24	200	115.4	66.7	100	57.8	28.9	23.1
27	225	129.8	75	112.5	65	32.5	26
30	N/A	144.2	83.4	125	72.3	36.1	28.9
40.5	N/A	173.1	100	150	86.7	43.3	34.7
45	N/A	216.3	125.1	187.5	108.4	54.1	43.4
54	N/A	N/A	N/A	225	130.1	65	52