

John Wood® commercial heavy-duty electric water heaters are an advanced line with the features contractors and engineers demand. Custom-built to order, choose from: 49, 74 and 111 US gallons, 6 to 54kW input and 208, 240 and 600 volts.

Features

Energy Savings

- Meets or exceeds ASHRAE Efficiency Standard 90.1 2007

Designed for Performance

- Factory installed 1.5" dielectric cold water inlet and hot water outlet nipples for ease of installation
- Conveniently located handhole cleanout
- Factory installed T&P and brass drain valve
- Durable textured finish
- High-performance incoloy screw-in elements
- Equipped with multiple anode rods for long life
- Galvanized base to prevent damage caused by excess moisture on the floor's surface
- 2" CFC-free foam insulation
- Surface or Immersion thermostat for more accurate temperature control
- Immersion thermostat ideal where 180°F is required in sanitizing applications

Serviceability

- Easy to service from front access panel



RECOVERY													
Input		Recovery Rate GPH/LPH											
		Temperature Rise											
		40°F (22°C)		60°F (33°C)		80°F (44°C)		100°F (56°C)		120°F (67°C)		140°F (78°C)	
kW	BTU/Hr	USG	L	USG	L	USG	L	USG	L	USG	L	USG	L
6	20,578	61	231	41	155	31	117	25	95	21	79	18	68
9	30,717	92	348	62	235	46	174	37	140	31	117	26	98
12	40,956	123	466	82	310	61	231	49	185	41	155	35	132
13.5	46,075	138	522	92	348	69	261	55	208	46	174	40	151
15	51,195	153	579	102	386	77	291	61	231	51	193	44	167
18	61,434	184	697	123	466	92	348	74	280	61	231	53	201
24	81,912	245	927	164	621	123	466	98	371	82	310	70	265
27	92,151	276	1045	184	697	138	522	110	416	92	348	79	299
30	102,390	306	1158	204	772	153	579	123	466	102	386	88	333
36	122,868	368	1393	245	927	184	697	147	556	123	467	105	397
40.5	136,226	413	1563	276	1045	207	784	166	628	138	522	118	447
45	153,585	459	1745	306	1158	230	871	184	697	153	579	131	496
54	184,302	551	2086	368	1393	276	1045	221	837	184	697	158	598



WARRANTY

3 Year Limited Tank Warranty

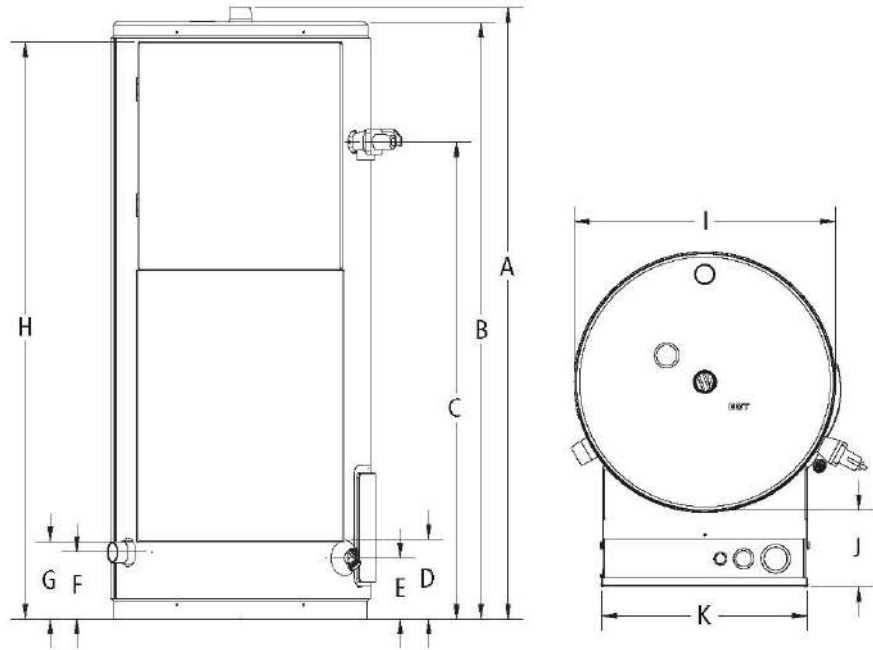
1 Year Limited Parts Warranty

Consult installation manual for terms and conditions or visit www.johnwoodwaterheaters.com for more information.

CONFIGURING YOUR MODEL

1. Select thermostat Note: Immersion thermostat is required for 180°F (82°C) sanitizing applications.	Surface (JW-ES) or Immersion (JW-EI)
2. Select capacity required (USG)	49 / JW-E(S/I)-50 74 / JW-E(S/I)-80 111 / JW-E(S/I)-119
3. Select input (kW)	6-54
4. Select voltage (600 Volt available in 3 Ph only)	208, 240 or 600
5. Select phase	1 or 3

Example:
JW-EI-80-45-240-3 is an 74 U.S. Gallon, 45 kW, 240 volt, 3 phase model with an Immersion Thermostat.



DIMENSIONS

Model	Capacity USG (L)	Installation Height A in (cm)	Height to Top of Tank B in (cm)	Height to T&P Valve C in (cm)	Height to Cleanout D in (cm)	Height to Drain Valve E in (cm)	Height to Cold Water Inlet F in (cm)	Height to Bottom of Panel G in (cm)	Height to Top of Panel H in (cm)	Diameter I in (cm)	Panel Depth J in (cm)	Panel Width K in (cm)	Approx. Shipping Weight
													lb (kg)
JW-E(S/I)-50	49 (184)	53 (135)	51 ½ (131)	41 ¼ (105)	7 ¼ (18)	5 ¼ (13)	6 ¼ (16)	6 ½ (17)	49 ½ (126)	22 ¼ (57)	6 ½ (17)	17 ½ (44)	277 (126)
JW-E(S/I)-80	74 (280)	63 ½ (161)	61 ½ (156)	51 ¾ (131)	7 ¼ (18)	5 ¼ (13)	6 ¼ (16)	6 ½ (17)	57 (145)	24 ¼ (62)	6 ½ (17)	17 ½ (44)	338 (153)
JW-E(S/I)-119	111 (420)	66 ¾ (170)	64 ½ (164)	53 ¾ (137)	7 (18)	5 (13)	6 (15)	6 ½ (17)	57 ¼ (146)	28 ½ (72)	6 ½ (17)	17 ½ (44)	457 (207)

ELECTRICAL CHARACTERISTICS

Input	Number of Elements	Element Wattage	Full Load Current in Amperes					Number of Contactors
			208 Volts		240 Volts		600 Volts	
			1 Ph	3 Ph	1 Ph	3 Ph	3 Ph	
6	3	2000	29	17	25	15	6	1
9	3	3000	43	25	38	22	9	1
12	3	4000	58	33	50	29	12	1
13.5	3	4500	65	38	56	32	13	1
15	3	5000	72	42	63	36	14	1
18	3	6000	87	50	75	43	17	1
24	6	4000	115	67	100	58	23	2
27	6	4500	130	75	113	65	26	2
30	6	5000	144	83	125	72	29	2
36	6	6000	173	100	150	87	35	2
40.5	9	4500	195	112	169	97	39	3
45	9	5000	216	125	188	108	43	3
54	9	6000	N/A	150	225	130	52	3

PREFERRED INSTALLATION

