

Non-Condensing Concentric Vent

Fully modulating, gas fired, tankless water heater with sealed combustion and power vented flue. Supplies hot water to domestic hot water systems (directly or indirectly) and can be used with water storage tanks, recirculation systems, and/or combined domestic hot water & space heating applications.

Features

Designed for Performance

- Concentric vent design
- Field convertible from natural gas to propane
- Maximum flow rates up to 10.0 GPM
- Copper heat exchanger: 25x better heat transfer than stainless steel thus stabilizing outgoing water temperature quicker and reducing pressure drop across the heat exchanger
- Easy-Link up to 4 units (no additional parts or accessories needed)
- Multi-link up to 20 units (with a Multi-Unit Controller)
- Complies with lead free standards

Safety Features

- Built-in freeze protection
- Manual reset hi limit (up to 194°F)
- Overheat cutoff fuse
- Inlet and outlet thermistors for constant temperature monitoring
- Air fuel ratio rod
- Flame sensor

Venting and Combustion

- 3"/5" direct vent APNC35 concentric vent system
- Vertical or horizontal vent termination installation
- 43' max length, 4 elbows max (90° elbows = 5' equivalent length)
- Power direct vent
- Electronic ignition - no pilot light



JWT-110C-NI, JWT-310C-NI, JWT-510C-NI



WARRANTY

15-year limited warranty on heat exchanger in residential applications

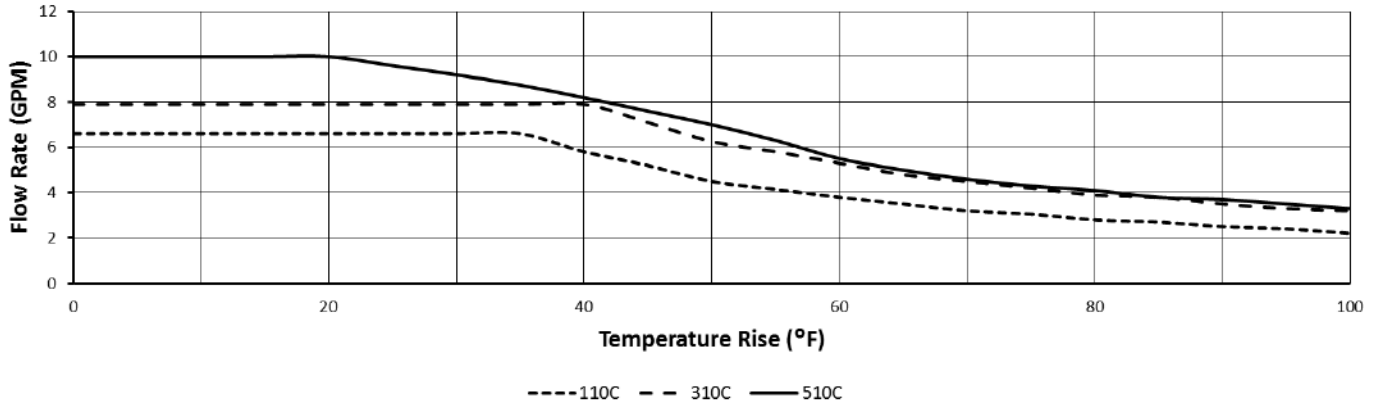
5-year limited warranty on heat exchanger in commercial applications

5-year limited warranty on all parts

Consult installation manual for terms and conditions or visit www.johnwoodwaterheaters.com for more information.

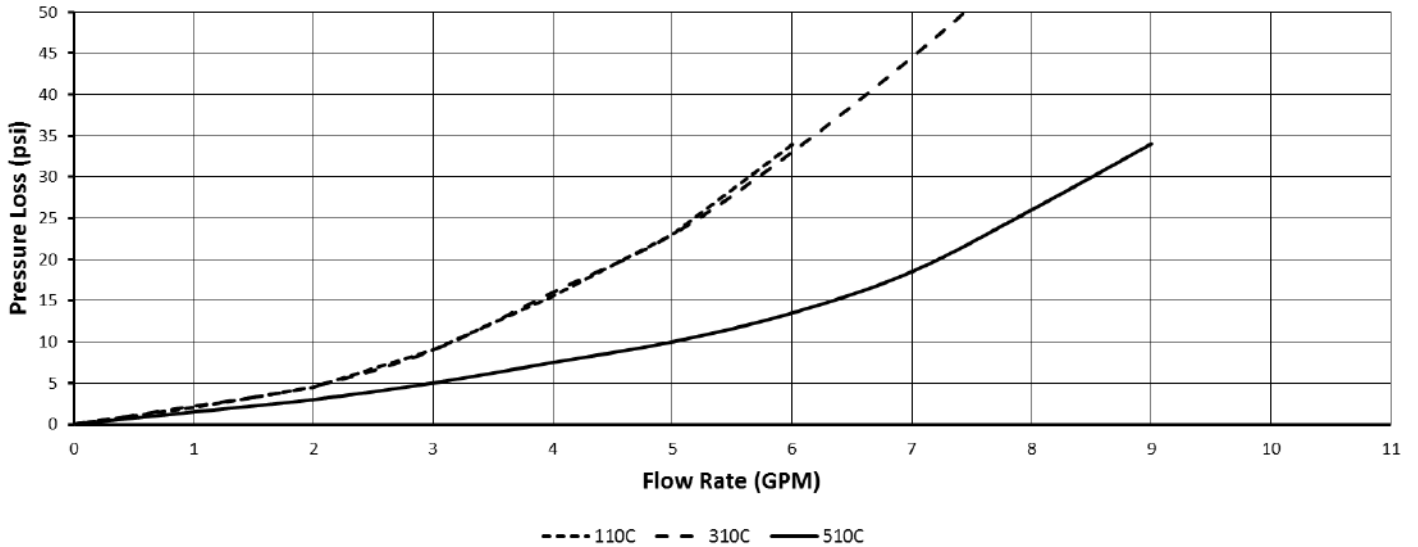


FLOW RATE vs TEMPERATURE RISE



*Maximum flow rate with set temperature above 131°F (55°C) is 8.0 GPM.

PRESSURE LOSS vs FLOW RATE



OPTIONAL ACCESSORIES

| PART NUMBER | DESCRIPTION |
|-------------|-----------------------|
| 100112156 | Isolation Valve Kit |
| 100209924 | Remote Control |
| 100113154 | Product Preserver |
| 100112691 | Multi-Unit Controller |

SUGGESTED SPECIFICATION

Water heater(s) shall be the fully modulating, non-condensing gas fired John Wood tankless water heater model _____, having a maximum input rating of _____ BTU/h. The heater shall have 3/4" male NPT water and gas connections. The inlet gas supply pressures shall be _____ in. WC (minimum) up to _____ in. WC (maximum) for _____ fuel. The heater shall incorporate an integrated temperature controller that will provide diagnostic information, fault history, and heater set temperature. The heater shall operate using 120V/60Hz power and will incorporate a factory-installed power cord.

The water heater(s) shall be direct vented with 3"/5" APNC35 concentric vent with a length not to exceed 43 equivalent feet, terminating horizontally or vertically with no more than four (4) 90° elbows.

The water heater(s) shall use a commercial grade copper alloy, fin tube primary heat exchanger with quick release brass or bronze waterways. The heater(s) shall be controlled by an onboard solid-state printed circuit board which uses thermistors to monitor inlet and outlet water temperature and exhaust temperature, a flow sensor to measure flow rate, a flame sensor to monitor combustion, and an air-fuel ratio rod to measure and adjust operation in order to maintain optimal combustion efficiency. The heater(s) shall also consist of inline fusing and surge absorbers for electrical surge protection, an electronic spark igniter, aluminized stainless steel burners, hi-limit temperature switch to monitor water temperature, modulating gas valve, an overheat cutoff fuse, and incorporate ceramic heating blocks and an auto-fire system for freeze protection of the heat exchanger and water piping.

The water heater(s) shall be design certified by CSA according to ANSI Z21.10.3 *CSA 4.3 and meet the energy efficiency requirements of NRCan and the current edition of ASHRAE 90.1.



SPECIFICATIONS

| MODEL NUMBER | FUEL TYPE | GAS CONSUMPTION INPUT | | INLET GAS PRESSURE* | | ENERGY FACTOR (EF) | FLOW RATE** | | HOT/COLD CONNECTIONS | GAS CONNECTION | DIMENSIONS IN (CM) | | | UNIT WEIGHT LB (KG) |
|--------------|-----------|-----------------------|---------------|---------------------|------------------|--------------------|-------------|------------|----------------------|----------------|--------------------|-----------|-----------|---------------------|
| | | MINIMUM BTU/h | MAXIMUM BTU/h | MINIMUM IN. W.C. | MAXIMUM IN. W.C. | | @30°F RISE | @70°F RISE | | | HEIGHT | WIDTH | DEPTH | |
| JWT-110C-NI | Natural | 15,000 | 140,000 | 5.0 | 10.5 | 0.82 | 6.6 | 3.3 | ¾" NPT | ¾" NPT | 20 ½ (52) | 13 ¾ (35) | 10 ½ (27) | 51 (23) |
| JWT-310C-NI | Natural | 15,000 | 190,000 | 5.0 | 10.5 | 0.82 | 8 | 4.5 | ¾" NPT | ¾" NPT | 20 ½ (52) | 13 ¾ (35) | 10 ½ (27) | 51 (23) |
| JWT-510C-NI | Natural | 15,000 | 199,000 | 5.0 | 10.5 | 0.82 | 10 | 4.7 | ¾" NPT | ¾" NPT | 20 ½ (52) | 13 ¾ (35) | 10 ½ (27) | 51 (23) |

15-150 psi water pressure. 40 psi or above recommended for maximum flow.

*For Propane, minimum inlet gas pressure is 8.0 in. W.C. and maximum inlet gas pressure is 14.0 in. W.C.

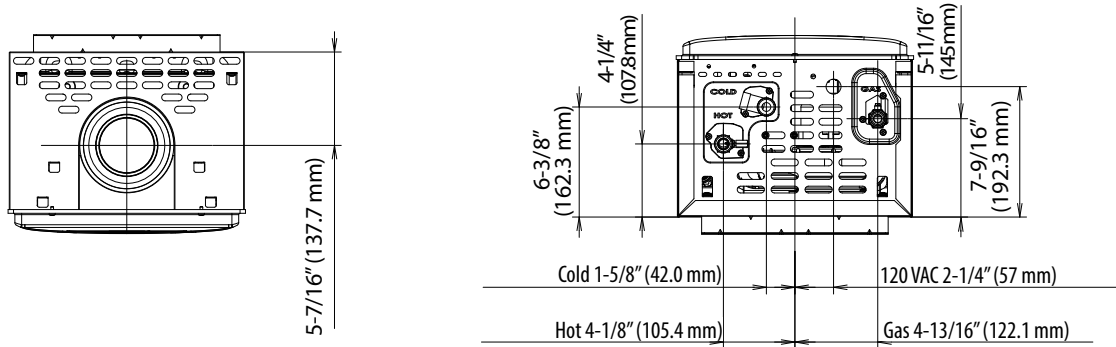
**Current numbers based on factory testing; 0.5 GPM required for activation; 0.4 GPM required for continuous fire after initial ignition.

Models are certified from sea level to 10,100 ft. (3,078 m) elevations.

MODEL DIMENSIONS

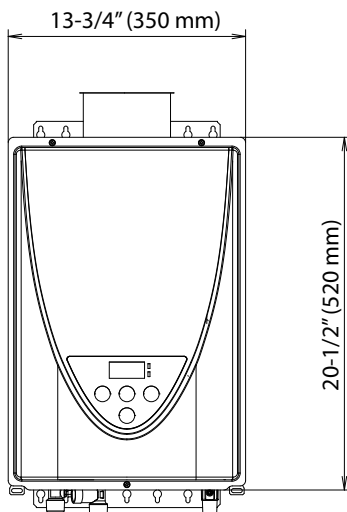
CLEARANCES: TOP 12", BOTTOM 12", FRONT* 4", BACK 0.5", SIDES 3"

*Recommended 24" clearance from the front of the unit for maintenance.

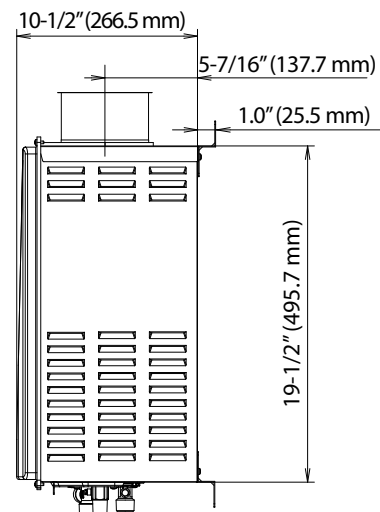


Top View

Bottom View



Front View



Side View