



John Wood®

Power Direct Vent (ENERGY STAR®)

RESIDENTIAL

The John Wood® ENERGY STAR® qualified Power Direct Vent water heater is designed with a sealed combustion chamber, ultra-quiet blower and state-of-the-art gas control for highly accurate and reliable temperature regulation. Perfect for both residential new home construction and replacement water heater applications.

Features

Energy Savings

- ENERGY STAR® qualified (except 75 gallon model)
- Exceeds NRCan energy efficiency standards
- Factory installed heat trap nipples

Designed for Performance

- Compact design – ideal as a replacement water heater and for closet installations
- Exclusive TankSaver® design to prolong tank life
- Ultra-quiet blower
- Convenient 3/4" side water connections for combination applications on high input 58,000 and 72,000 BTU units (plugs are factory installed)
- Factory installed T&P valve and drip tube
- Glass lined tank provides superior protection against corrosion

Safety Features

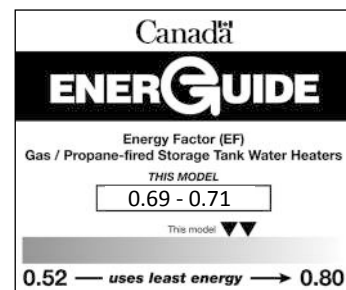
- Sealed combustion chamber design, eliminating the need for a FV sensor
- Zero clearance to combustibles

Serviceability

- State-of-the-art gas control features advanced self-diagnostic capability that makes troubleshooting easy
- Conveniently located T&P and drain valve for ease of serviceability
- Auto-reset temperature switch monitors vent temperature

The Ultimate in Venting Flexibility

- Can be vented with 2", 3" or 4" ULC S636 PVC, CPVC or polypropylene pipe up to 180 equivalent feet (see installation manual for full details)
- Can be installed using a concentric vent kit (see reverse or installation manual for details)



WARRANTY

8 Year Limited Tank Warranty

6 Year Limited Parts Warranty

Consult installation manual for terms and conditions or visit www.johnwoodwaterheaters.com for more information.



PERFORMANCE

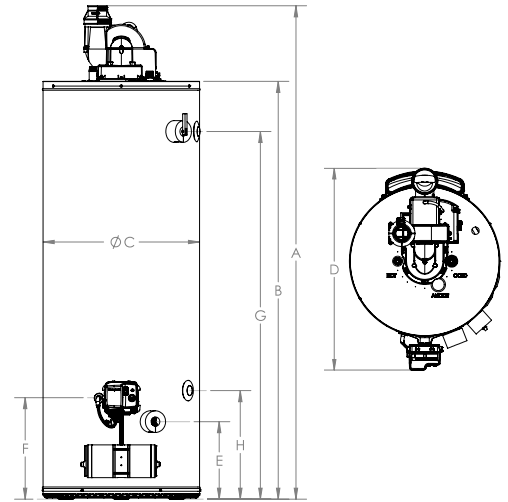
Model	Series	Capacity	Input	Maximum Certified Altitude	Recovery Rate at 90°F Temperature Rise	First Hour Rating	Energy Factor	BC/ON Compliant
		USG (L)	BTU/h	FT (M)	GPH (LPH)	GPH (LPH)		
NATURAL GAS								
JW840S40N-PDV-ES2	200/201	40 (151)	40,000	10,100 (3,078)	44 (167)	71 (269)	0.71	✓
JW850T45N-PDV-ES2	200/201	50 (189)	45,000	10,100 (3,078)	50 (189)	93 (352)	0.70	✓
JW850T58N-PDV-ES2*	200	50 (189)	58,000	5,400 (1,646)	67 (254)	100 (379)	0.71	✓
JW850T62P-PDV-ES2**	201	50 (189)	58,000	10,100 (3,078)	67 (254)	100 (379)	0.71	✓
JW875T72N-PDV	N/A	75 (284)	72,000	10,100 (3,078)	82 (310)	154 (583)	0.69	✓

For propane models sub N for P. Natural gas models are series 200. Propane models are series 201.

*Available in natural gas only.

**Available in propane only.

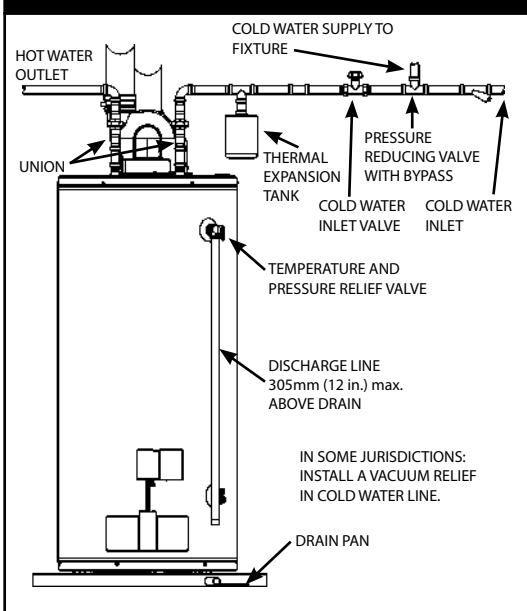
Side connections standard on 58,000 and 72,000 BTU high input models



DIMENSIONS & SHIPPING WEIGHT

Model	Installation Height	Height to Top of Tank	Tank Diameter	Overall Depth	Height to Drain Valve	Height to Gas Inlet	Height to T&P	Height to Upper Side Connection	Height to Lower Side Connection	Vent Diameter	Shipping Weight
	A IN (CM)	B IN (CM)	C IN (CM)	D IN (CM)	E IN (CM)	F IN (CM)	G IN (CM)	G IN (CM)	H IN (CM)	IN	LB (KG)
NATURAL GAS											
JW840S40N-PDV-ES2	58 ¼ (148)	49 ½ (126)	22 (56)	29 ⅞ (76)	11 (28)	13 ¼ (34)	42 ⅜ (108)	N/A	N/A	2, 3 or 4	174 (79)
JW850T45N-PDV-ES2	67 ½ (171)	58 ⅞ (150)	22 (56)	29 ⅞ (76)	11 (28)	13 ¼ (34)	51 ¾ (131)	N/A	N/A	2, 3 or 4	192 (87)
JW850T58N-PDV-ES2 JW850T62P-PDV-ES2	68 ⅞ (175)	60 ¼ (153)	22 (56)	29 ⅞ (76)	11 (28)	13 ¼ (34)	52 ¾ (134)	52 ¾ (134)	15 ¼ (39)	3 or 4	200 (91)
JW875T72N-PDV	70 ⅞ (179)	60 ½ (154)	26 (66)	33 ⅞ (86)	11 (28)	13 ¼ (34)	53 (135)	53 (135)	15 ¼ (39)	3 or 4	277 (126)

PREFERRED INSTALLATION



For Technical Information/Warranty:
Call 1-888-479-8324 or
email techsupport@johnwoodwaterheaters.com
www.johnwoodwaterheaters.com

VENT PIPE LENGTHS

Model	Vent Pipe Diameter IN	Minimum Number of Elbows Required*	Minimum Vent Length with One Elbow FT (M)		Maximum Equivalent Vent Length FT (M)	
			Concentric	2 Pipe	Concentric	2 Pipe
JW840S40N-PDV-ES2	2	1	7 (2)	7 (2)	50 (15)	50 (15)
	3	1	7 (2)	7 (2)	100 (30)	125 (38)
	4	1	N/A	50 (15)	N/A	180 (55)
JW850T45N-PDV-ES2	2	1	7 (2)	7 (2)	50 (15)	50 (15)
	3	1	7 (2)	7 (2)	100 (30)	125 (38)
	4	1	N/A	50 (15)	N/A	180 (55)
JW850T58N-PDV-ES2 JW850T62P-PDV-ES2	3	1	7 (2)	7 (2)	45 (14)**	50 (15)
	4	1	N/A	50 (15)	N/A	125 (38)
JW875T72N-PDV	3	1	7 (2)	7 (2)	30 (9)	50 (15)
	4	1	N/A	50 (15)	N/A	125 (38)

* Refer to installation manual for further details.

**30 (9) for JW850T62P-PDV-ES2

OPTIONAL KITS

Description	Part Number
2" vent kit - coupling, sound suppressor	330828-000
3" vent kit - coupling, sound suppressor	330851-000
2" concentric vent kit	9008586005
3" concentric vent kit	9006328005
High ambient kit	9009024015